

LUMUX

Project : _____ Type: _____

Agency : _____

Distributor : _____



Description : The BL300 Bollard luminaires provide efficient low-glare illumination from a highly durable seamless architectural form. This unit is fabricated from extruded aluminum with frosty UV rated polycarbonate lens. All hardwares are stainless steel. silicon gasketed for weather tight operation. Anchor bolts are provided. This unit is utilizing 18 watt LED. 120 volt or 277 volt driver is integral with this luminaires. Unit could be specified in Black, Silver, White or Dark Bronze. Unit complies with "Made in USA" provision.

SPECIFICATION:

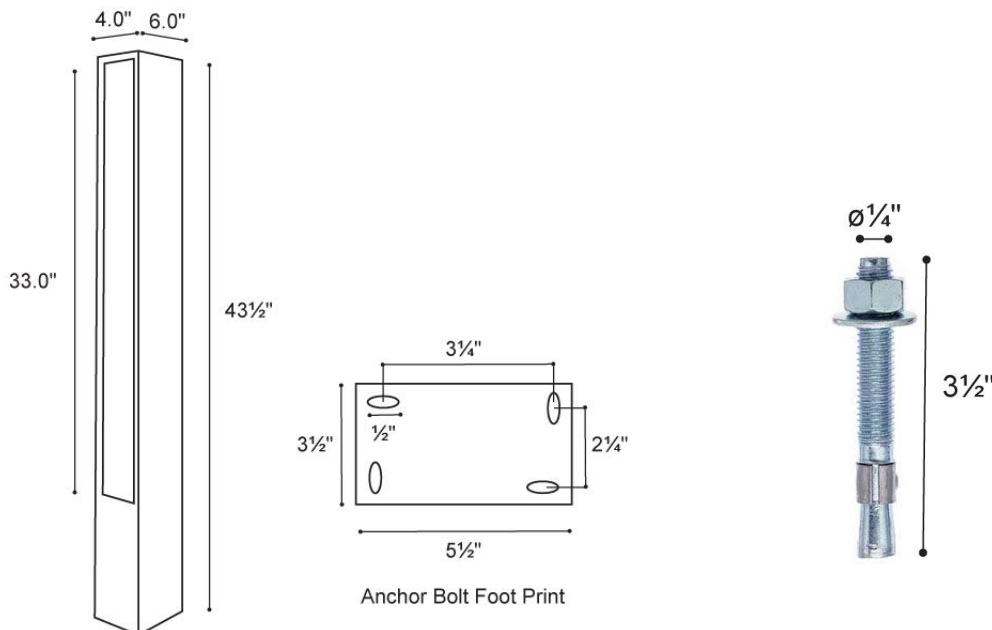
Housing : Extruded aluminum. Vandal resistance stainless steel screws. Silicon gasketed for weather tight operation.

Diffuser : Frosty Poly Carbonate.

Electrical : Voltage : 120 or 277
Lamp: LED,
Driver : Integral.

Installation:
Unit is provided with anchor bolts.

DIMENSIONS:



Lumux - BL300

Lumux reserves the right to modify the above details to reflect changes in the cost of materials and/or design without prior notice.

Lumux Lighting Inc	877-895-5552	Rev : A	Drawing Number BL300
--------------------	--------------	---------	-------------------------

LUMUX

Date :

Project :

Type:

Agency :

Distributor :

ORDERING GUIDE:

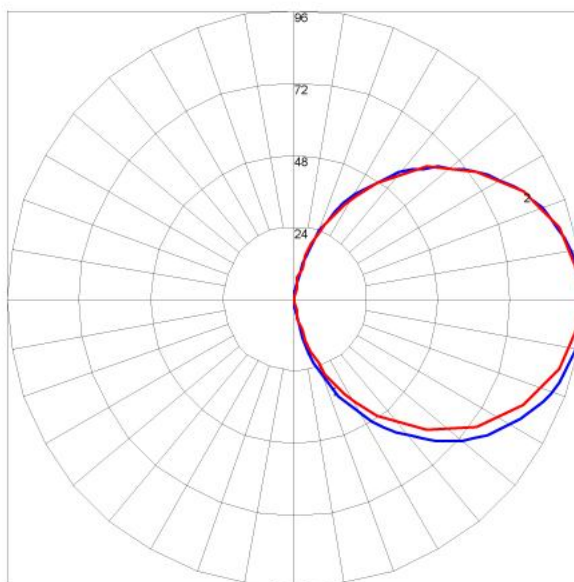
BL300/LED/120/277/Finish

LED -CREE

Wattage	Voltage	Lumen	CRI	Temp.	B. Angle	Finish
18	120/277	261	80	4000K	150	Black White Silver Bronze RAL (optional)

Lumux - BL300

Light Distribution Pattern:



Maximum Candela = 95.6 Located At Horizontal Angle = 0, Vertical Angle = 87.5
1 - Vertical Plane Through Horizontal Angles (0 - 180) (Through Max. Cd.)
2 - Horizontal Cone Through Vertical Angle (87.5) (Through Max. Cd.)

Lumux reserves the right to modify the above details to reflect changes in the cost of materials and/or design without prior notice.

Lumux Lighting Inc	877-895-5552	Rev :A	Drawing Number BL300
--------------------	--------------	--------	-------------------------