

# LUMUX

Project :	Type:
-----------	-------

Agency :
----------

Distributor :
---------------



**Description :** The BL340 Bollard luminaires provide efficient low-glare illumination from a highly durable seamless architectural form with shielded light source. This unit is fabricated from extruded aluminum with frosted glass lens. All hardware are stainless steel. Silicon gasketed for weather tight operation. Anchor bolts are provided. This unit is utilizing Cree 26 watt LED. 120 volt or 277 volt driver is integral with this luminaires. Unit could be specified in Black, Silver, White or Dark Bronze. Unit complies with "Made in USA" provision.

**SPECIFICATION:**

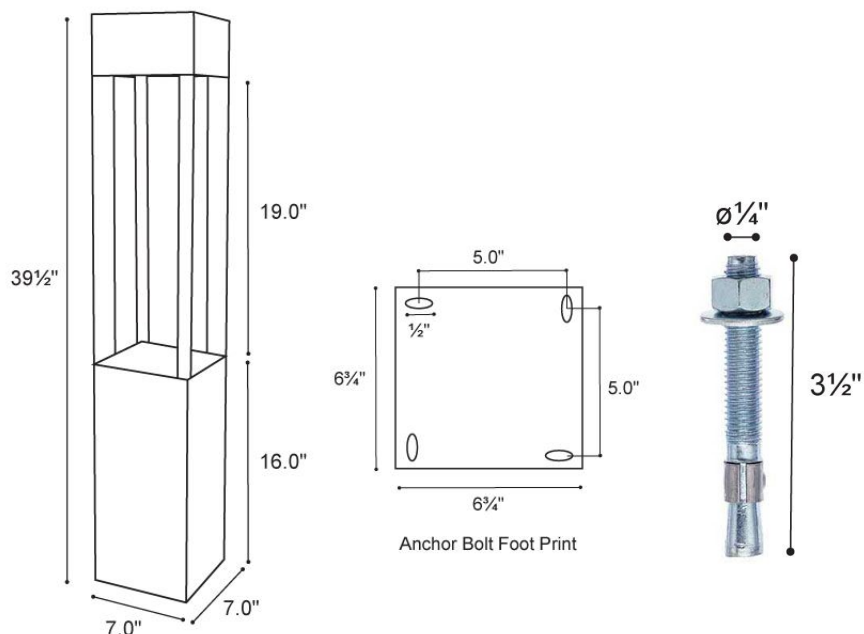
**Housing :** Extruded aluminum. Vandal resistance stainless steel screws. Silicon gasketed for weather tight operation.

**Diffuser :** Frosted glass.

**Electrical :** Voltage : 120 or 277  
Lamp: LED,  
Driver : Integral.

**Installation:**  
Unit is provided with anchor bolts.

**DIMENSIONS:**



Lumux - BL340

Lumux reserves the right to modify the above details to reflect changes in the cost of materials and/or design without prior notice.

Lumux Lighting Inc	877-895-5552	Rev : A	Drawing Number BL340
--------------------	--------------	---------	-------------------------

# LUMUX

Date :

Project :

Type:

Agency :

Distributor :

## ORDERING GUIDE:

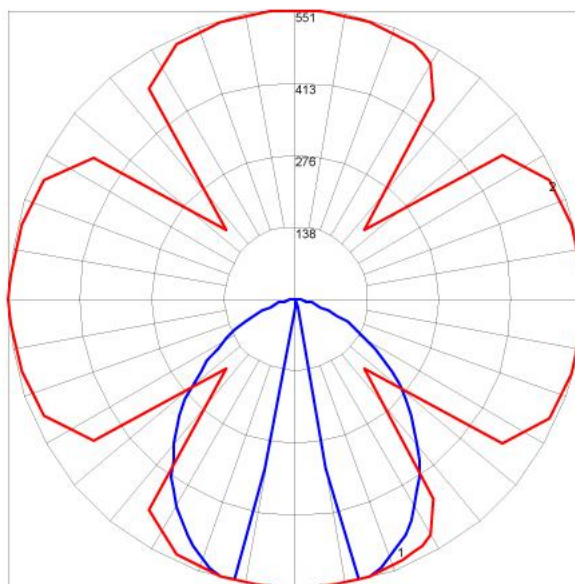
**BL340/LED/120/277/Finish**

LED -CREE

Wattage	Voltage	Lumen	CRI	Temp.	B. Angle	Finish
26	120/277	1071	80	4000K	100	Black White Silver Bronze RAL (optional)

Lumux - BL340

## Light Distribution Pattern :



Maximum Candela = 551.3 Located At Horizontal Angle = 90, Vertical Angle = 15  
# 1 - Vertical Plane Through Horizontal Angles (90 - 270) (Through Max. Cd.)  
# 2 - Horizontal Cone Through Vertical Angle (15) (Through Max. Cd.)

Lumux reserves the right to modify the above details to reflect changes in the cost of materials and/or design without prior notice.

Lumux Lighting Inc

877-895-5552

Rev :A

Drawing Number  
BL340