

# LUMUX

Project :	Type:
-----------	-------

Agency :
----------

Distributor :
---------------



**Description :** The BL355 Bollard luminaires provide efficient low-glare illumination from a highly durable seamless architectural form with shielded light source. This unit is fabricated from extruded aluminum with frosted glass lens. All hardware are stainless steel. Silicon gasketed for weather tight operation. Anchor bolts are provided. This unit is utilizing Cree 17 watt LED. 120 volt or 277 volt driver is integral with this luminaires. Unit could be specified in Black, Silver, White or Dark Bronze. Unit complies with "Made in USA" provision.

**SPECIFICATION:**

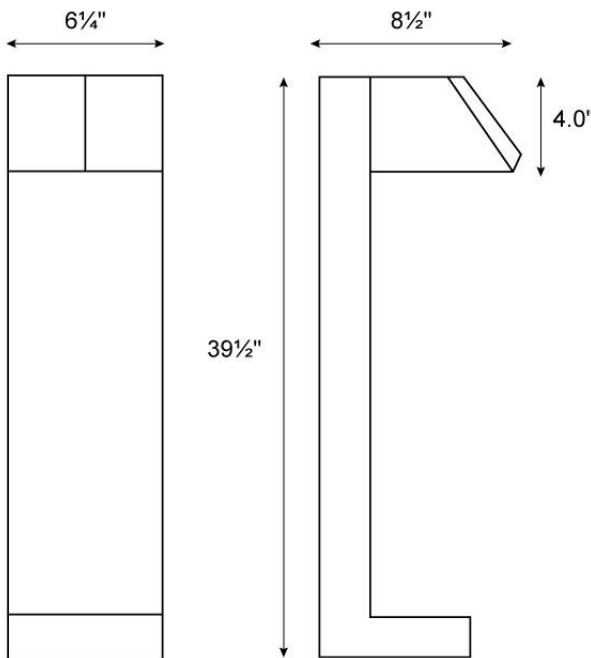
**Housing :** Extruded aluminum. Vandal resistance stainless steel screws. Silicon gasketed for weather tight operation.

**Diffuser :** Frosted glass.

**Electrical :** Voltage : 120 or 277  
Lamp: LED,  
Driver : Integral.

**Installation:**  
Unit is provided with anchor bolts.

**DIMENSIONS:**



**Lumux - BL355**

Lumux reserves the right to modify the above details to reflect changes in the cost of materials and/or design without prior notice.

<b>Lumux Lighting Inc</b>	<b>877-895-5552</b>	<b>Rev : A</b>	<b>Drawing Number BL355</b>
---------------------------	---------------------	----------------	---------------------------------

# LUMUX

Date :

Project :

Type:

Agency :

Distributor :

## ORDERING GUIDE:

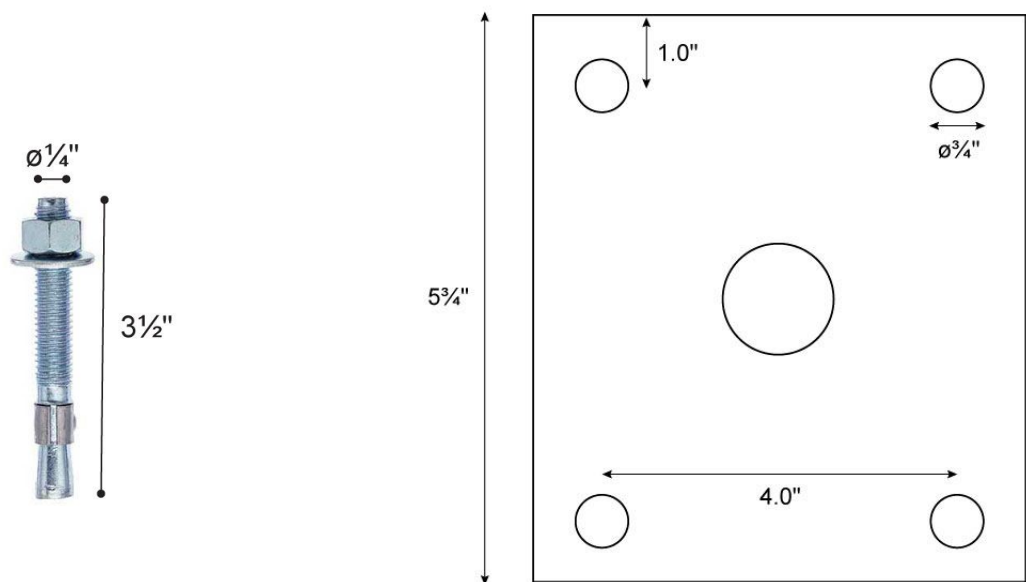
### BL355/LED/120/277/Finish

LED -CREE

Wattage	Voltage	Lumen	CRI	Temp.	B. Angle	Finish
14.6	120/277	800	80	4000K	120	Black White Silver Bronze RAL (optional)
14.6	120/277	720	80	3000K	120	

Lumux - BL355

## PROJECT NOTES:



**Anchor bolts foot print**

Lumux reserves the right to modify the above details to reflect changes in the cost of materials and/or design without prior notice.

<b>Lumux Lighting Inc</b>	<b>877-895-5552</b>	<b>Rev :A</b>	<b>Drawing Number</b> BL355
---------------------------	---------------------	---------------	--------------------------------