

LUMUX

Project :	Type:
-----------	-------

Agency :

Distributor :



Description : This Bollard luminaries provide efficient low-glare illumination from a highly durable seamless architectural form with shielded light source. This unit is fabricated from extruded aluminum with frosted glass lens. All hardware are stainless steel. silicon gasketed for weather tight operation. Anchor bolts are provided. This unit is utilizing Cree 20 watt LED. 120 volt or 277 volt driver is integral with this luminaries. Unit could be specified in Black, Silver, White or Dark Bronze. Unit complies with "Made in USA" provision.

SPECIFICATION:

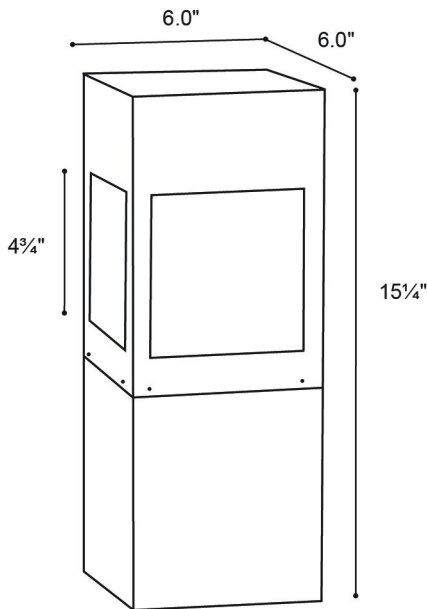
Housing : Extruded aluminum. Vandal resistance stainless steel screws. Silicon gasketed for weather tight operation.

Diffuser : Frosted glass.

Electrical : Voltage : 120 or 277
Lamp: LED,
Driver : Integral.

Installation:
Unit is provided with anchor bolts.

DIMENSIONS:



Lumux - BL700S

Lumux reserves the right to modify the above details to reflect changes in the cost of materials and/or design without prior notice.

Lumux Lighting Inc	877-895-5552	Rev : A	Drawing Number BL700S
--------------------	--------------	---------	--------------------------

LUMUX

Date :

Project :

Type:

Agency :

Distributor :

ORDERING GUIDE:

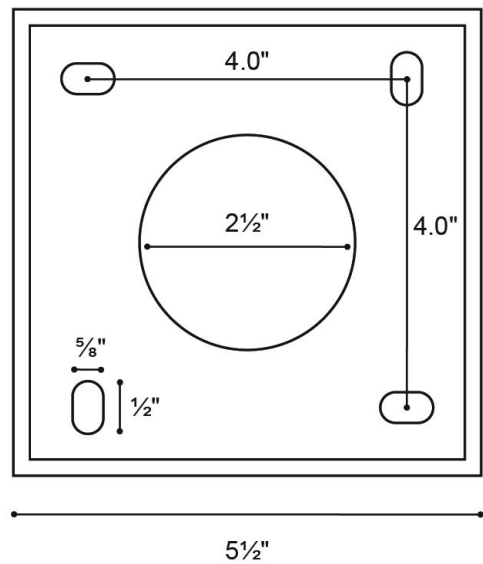
BL700S/LED/120/277/Finish

LED -CREE

Wattage	Voltage	Lumen	CRI	Temp.	B. Angle	Finish
20	120/277	810	80	4000K	120	Black White Silver Bronze RAL (optional)

Lumux - BL700S

PROJECT NOTES:



Anchorage Template

Lumux reserves the right to modify the above details to reflect changes in the cost of materials and/or design without prior notice.

Lumux Lighting Inc	877-895-5552	Rev :A	Drawing Number BL700S
---------------------------	---------------------	---------------	---------------------------------