

LUMUX

Project :	Type:
-----------	-------

Agency :

Distributor :



Description : This surface Wall Mounted LED unit with fully shielded light source for down light is applicable for interior or exterior application is constructed from low copper aluminum die cast and tempered clear glass. This unit is fully gasketed with molded silicon rubber for weather tight operation. Suitable for wet locations. ETL listed. **This unit comes in two different sizes. The bigger housing DL300-2 would accommodate the Integral Battery Pack.** Both models are IP65 rated for outdoor application.

SPECIFICATION:

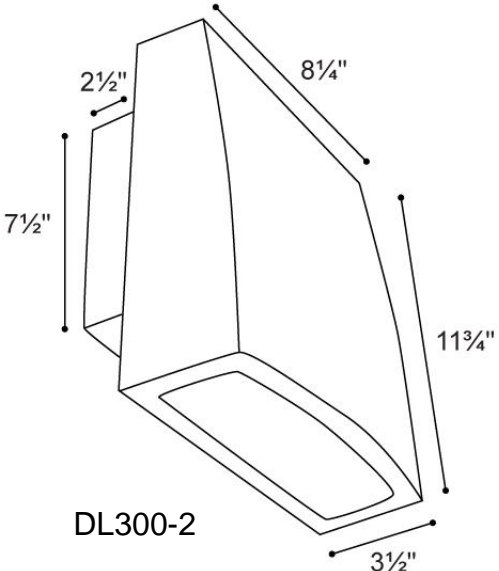
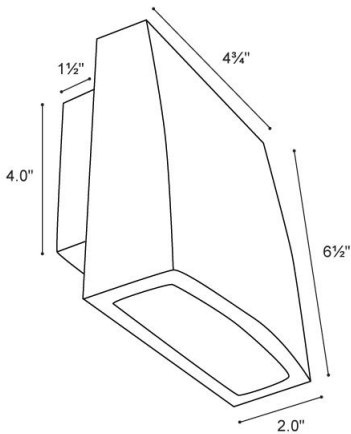
Housing : Low copper aluminum die cast. Silicon gasketed for weather tight operation. Bigger housing, DL300-2, would be used for Integral Battery Pack.

Diffuser : Clear glass.

Electrical : Voltage : 120 / 277
 Bridgelux LED : 30 watt 4000K
 Ballast : Class P, Electronic Driver 120 - 277 input voltage.

Installation: Unit comes with standard wall mount adapter which fits on any standard J-Box. In addition to that it has two 1/2" KO on each side for surface conduit entry.


DIMENSIONS:



Lumux - DL300

Lumux Lighting Inc	877-895-5552	Rev : A	Drawing Number DL300
--------------------	--------------	---------	-------------------------

LUMUX

Project :	Type:	Agency :
Distributor :		 Complies with BUY AMERICA

ORDERING GUIDE:

DL300/LED/120/277/Finish/option

LED -CREE

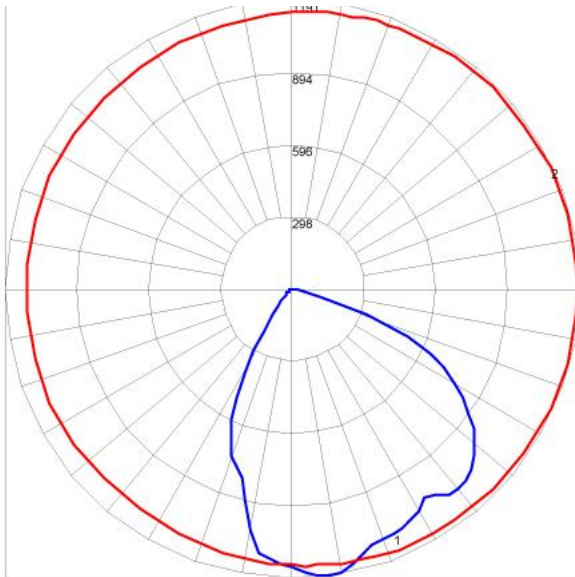
Wattage	Voltage	Lumen	CRI	Temp.	B. Angle	Finish	Option
30	120/277	2900	80	4000K	24	Black	Integral Emergency Battery.(Using the DL300-2 housing)
30	120/277	2700	80	3000K	24	White Silver Bronze RAL (optional)	

DL300-2 has the same Lumen output.

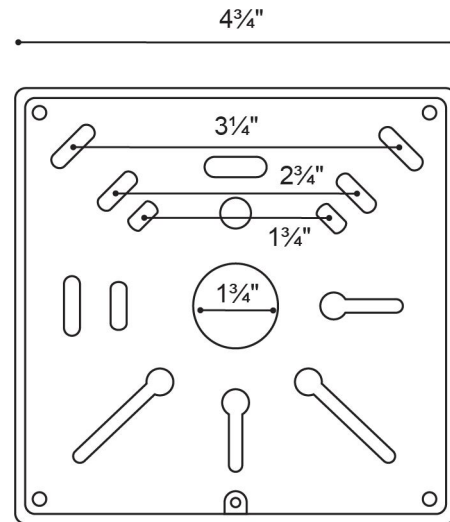
Lumux - DL300

PROJECT NOTES:

Light Distribution Pattern



Maximum Candela = 1191.4 Located At Horizontal Angle = 0, Vertical Angle = 7.5
 # 1 - Vertical Plane Through Horizontal Angles (0 - 180) (Through Max. Cd.)
 # 2 - Horizontal Cone Through Vertical Angle (7.5) (Through Max. Cd.)



Wall plate foot print

Lumux reserves the right to modify the above details to reflect changes in the cost of materials and/or design without prior notice.

Lumux Lighting Inc	877-895-5552	REV :A	Drawing Number DL300
---------------------------	---------------------	---------------	--------------------------------