

LUMUX

Project :	Type:
-----------	-------

Agency :

Distributor :



Description : This square Wall Mounted unit with fully shielded light source for down only lighting for indoor or outdoor application is constructed from low copper aluminum die cast and tempered clear glass. This unit is fully gasketed with molded silicon rubber for weather tight operation. Vandal resistance stainless steel fasteners. Suitable for wet locations. ETL listed.

SPECIFICATION:

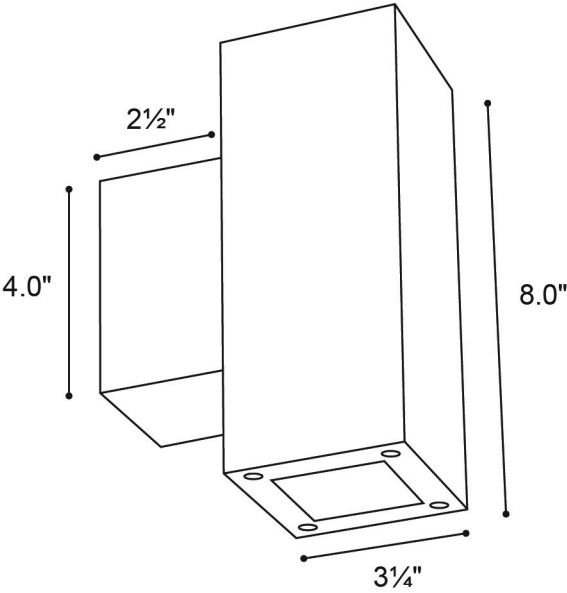
Housing : Low copper aluminum die cast.
 Vandal resistance stainless steel screws.
 Silicon gasketed for weather tight operation.

Diffuser : Clear glass.

Electrical : Voltage : 120 / 277
 Lamp: CREE XPE LED 4 watt.
 Driver : UL Listed 120/277 input voltage.

Installation: Please refer to the mounting foot print below.

DIMENSIONS:



Lumux - DL400

Lumux Lighting Inc	877-895-5552	Rev : A	Drawing Number DL400
--------------------	--------------	---------	-------------------------

LUMUX

Project :	Type:
-----------	-------

Agency :

Distributor :



ORDERING GUIDE:

DL400/LED/120/277/Finish

LED -CREE

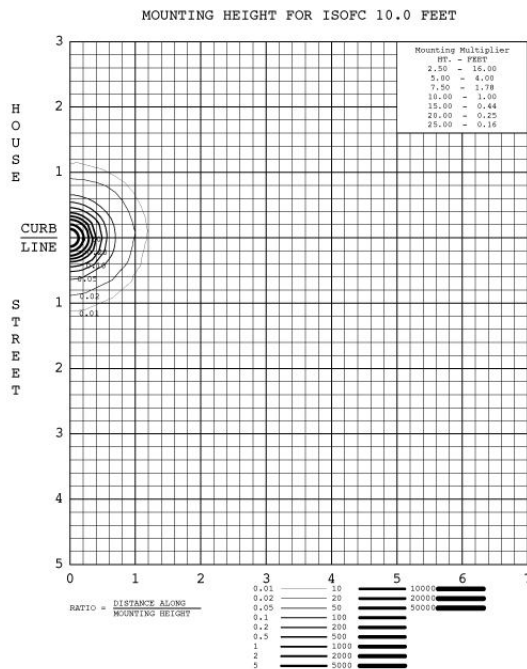
Wattage	Voltage	Lumen	CRI	Temp.	B. Angle	Finish
---------	---------	-------	-----	-------	----------	--------

4	120/277	213	80	4000K	24
---	---------	-----	----	-------	----

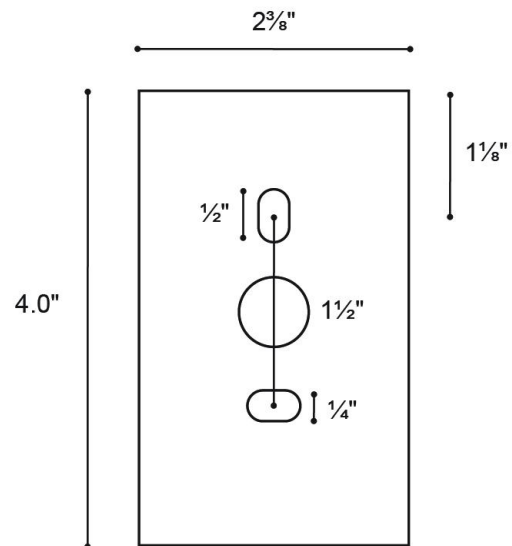
Black
White
Silver
Bronze
RAL
(optional)

Lumux - DL400

PROJECT NOTES:



Light Distribution Pattern



Wall plate foot print.

Lumux reserves the right to modify the above details to reflect changes in the cost of materials and/or design without prior notice.

Lumux Lighting Inc	877-895-5552	REV : A	Drawing Number DL400
---------------------------	---------------------	----------------	---------------------------------