

LUMUX

Date :

Project :

Type:

Agency :

Distributor :



Description : These Luminaries with rotationally symmetrical light distribution are well designed for parks, parking lots or any other public areas. This unit is fabricated from low copper aluminum die cast parts with spun aluminum disk on the top of the luminaries, which would also be used as a downward reflector. All of the hardware is stainless steel. Silicon rubber to make the unit weather tight for outdoor application. Polyester powder coated. ETL listed for wet location.

SPECIFICATION:

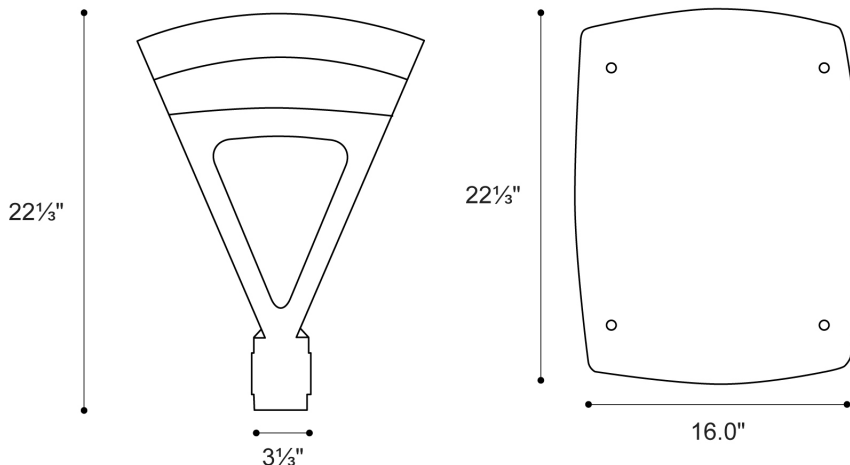
Housing : Low copper aluminum die cast.
Vandal resistance stainless steel screws.
Silicon gasketed for weather tight operation.

Electrical : Voltage : 120 or 277
Lamp: CREE LED
Driver : Class P, Electronic Ballast

Diffuser : Clear glass. 6 3/4" in diameter.

Installation:
The tenon is 3 1/2" in diameter and 3 1/2" in depth.

DIMENSIONS:



Lumux - PT600

Lumux reserves the right to modify the above details to reflect changes in the cost of materials and/or design without prior notice.

Lumux Lighting Inc	877-895-5552	Rev : A	Drawing Number PT600
--------------------	--------------	---------	-------------------------

LUMUX

Date :

Project :

Type:

Agency :

Distributor :

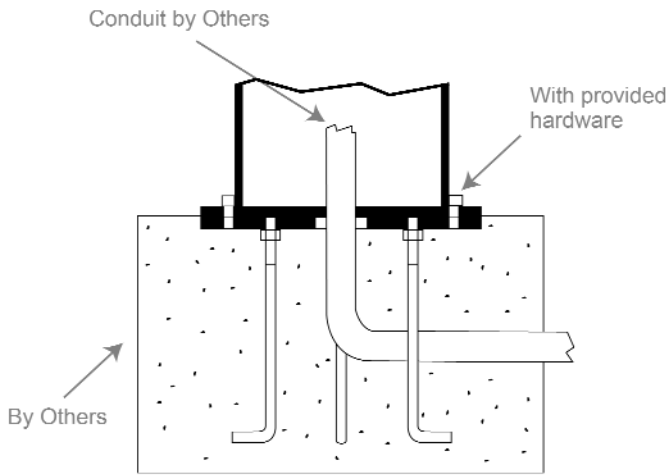
ORDERING GUIDE:

CREE LED

Wattage	Voltage	Lumen	CRI	Temp.	B. Angle	Finish White Black Silver Bronze RAL (optional)
50	120/277	5591	70	4000K	120	
50	120/277	4800	70	3000K	120	

Lumux - PT600

PROJECT NOTES:



Post : is fabricated from high grade aluminum extrusion conforms to ASTM-A-501-68 specifications. Meets or exceeds minimum yield strength of 46 PSI.

Anchorage : (4) anchor bolts fabricated from hot rolled steel bar. Minimum yield strength of 50 PSI. Bolts have "L" bend on one end and are threaded on the other end. Bolts are fully galvanized and are furnished with two nuts and two washers.

Please go on line to www.lumux.com to get a copy of this pole's template by clicking on the Post icon and selecting E-Template from the drop down menu..

Lumux reserves the right to modify the above details to reflect changes in the cost of materials and/or design without prior notice.

Lumux Lighting Inc	877-895-5552	Rev :A	Drawing Number PT600
---------------------------	---------------------	---------------	--------------------------------

LUMUX

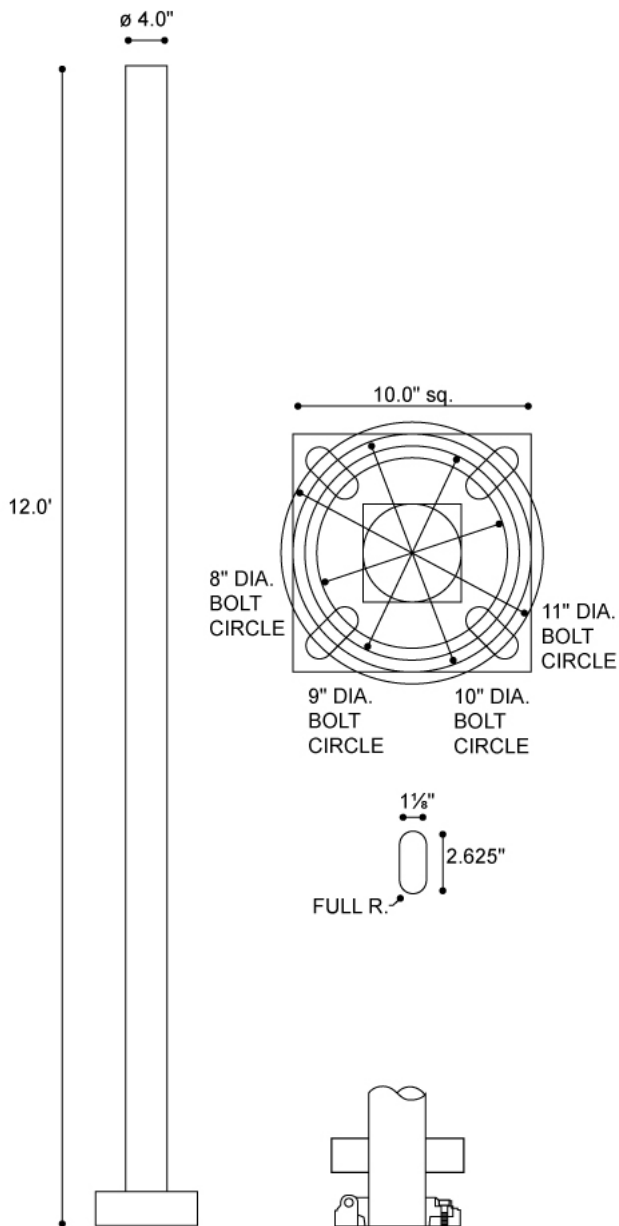
Date :

Project :

Type:

Agency :

Distributor :



Lumux - PT600

Lumux Lighting Inc	877-895-5552	Rev :A	Drawing Number PT600
--------------------	--------------	--------	-------------------------