

LUMUX

Project :	Type:
-----------	-------

Agency :

Distributor :



Description : Fabricated from the highest grade of low copper aluminum die cast housing and grill. stainless steel screws with shielded LED light source. Utilizing silicon O-ring gasket for weather tight operation. High corrosion resistance polyester powder coat finish. Specify these fixtures where Dark Sky low mounting heights illumination is required for steps, marking or tracing of aisles and pathways. Consists of a polymer housing which is recommended for poured concrete construction as a "rough in" housing to form a barrier between the luminaire recessed housing and the concrete. ETL listed for wet locations. ADA compliant.

SPECIFICATION:

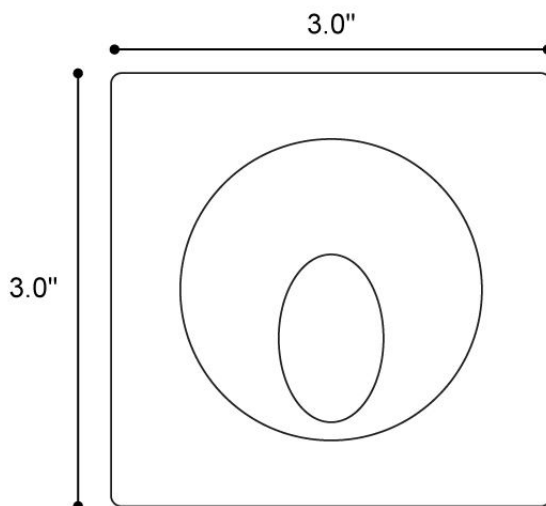
Housing : Low copper aluminum die cast.
Vandal resistance stainless steel screws.
Silicon gasketed for weather tight operation.

Diffuser : Frosty glass.

Electrical : Voltage : 120 / 277
Lamp: LED-CREE
Ballast : Class P, Integral Electronic Driver

Installation: Unit comes with its own poly-
mere Rough-In box for dry wall or concrete
pour installation. Opening Size : 2 3/4" x
3.0" (Diameter x Depth)

DIMENSIONS:



Lumux - SL2000Q

Lumux reserves the right to modify the above details to reflect changes in the cost of materials and/or design without prior notice.

Lumux Lighting Inc	877-895-5552	Rev : A	Drawing Number SL2000Q
--------------------	--------------	---------	---------------------------

LUMUX

Date :

Project :

Type:

Agency :

Distributor :

ORDERING GUIDE:

SL2000Q/LED-color/Voltage/Finish

Wattage	Color	Temp.	Lumen	Voltage	CRI	Finish
3.0	Cool White Warm White	4000 3000	64 58	120/277	80	Black White Silver D.Bronze RAL(optional)

Lumux - SL2000Q

PROJECT NOTES:

Comments



Concrete Pour Box (CPX)

Lumux reserves the right to modify the above details to reflect changes in the cost of materials and/or design without prior notice.

Lumux Lighting Inc	877-895-5552	Rev :A	Drawing Number SL2000Q
---------------------------	---------------------	---------------	----------------------------------