

LUMUX

Project : _____ Type: _____

Agency : _____

Distributor : _____



Description : Fabricated from the highest grade of low copper aluminum die cast components and grill. stainless steel screws with shielded LED light source. Utilizing silicon O-ring gasket for weather tight operation. High corrosion resistance polyester powder coat finish. Specify these fixtures where Dark Sky low mounting heights illumination is required for steps, marking or tracing of aisles and pathway. Hospitality applications as night light or.....

ETL listed for wet locations. ADA compliant.

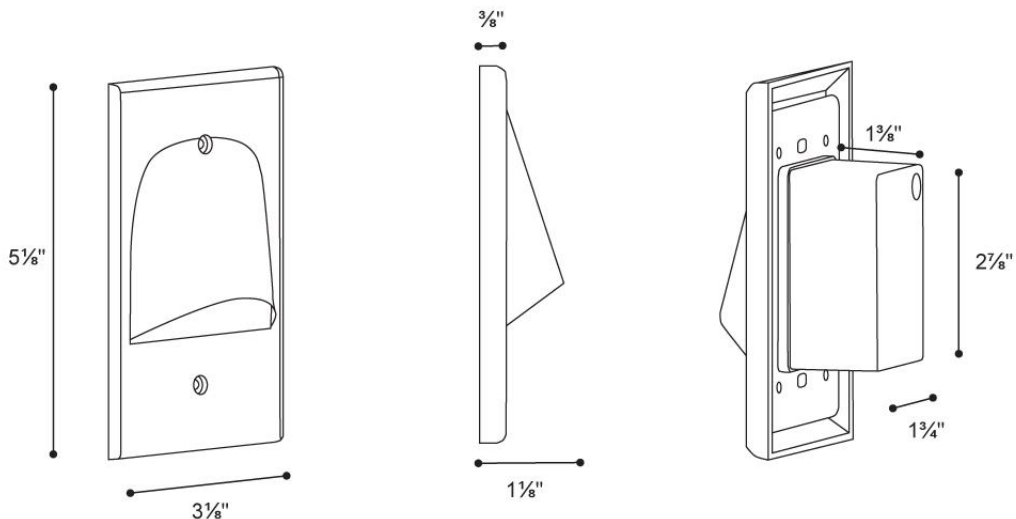
Housing : Low copper aluminum die cast.
Vandal resistance stainless steel screws.
Silicon gasketed for weather tight operation.

Diffuser : Frosty glass.

Electrical : Voltage : 120
Lamp: LED
Ballast : Class P, Integral Electronic Driver

Installation: This unit would fit inside of any standard 2"x4" J-Box.

DIMENSIONS:



Lumux reserves the right to modify the above details to reflect changes in the cost of materials and/or design without prior notice.

Lumux - SL3000

Lumux Lighting Inc	877-895-5552	Rev : A	Drawing Number SL3000
--------------------	--------------	---------	--------------------------

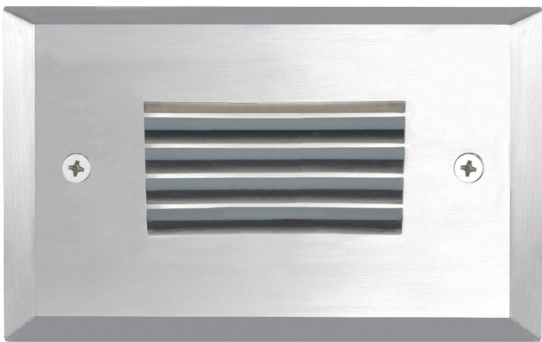
LUMUX

Project :

Type:

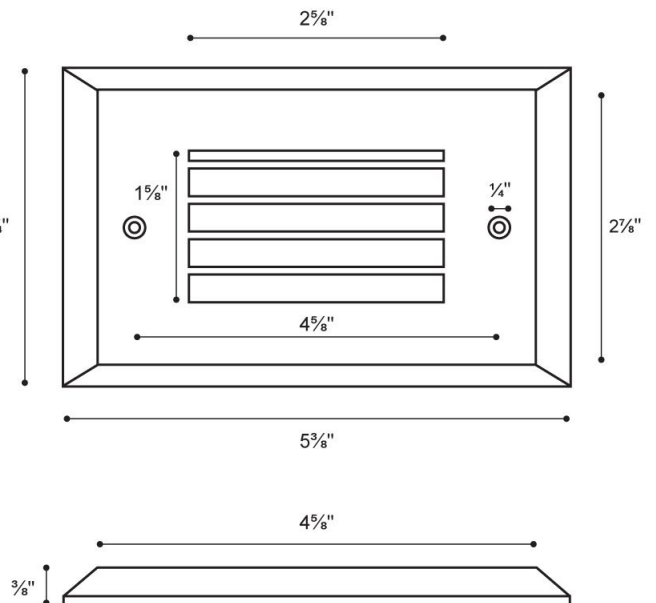
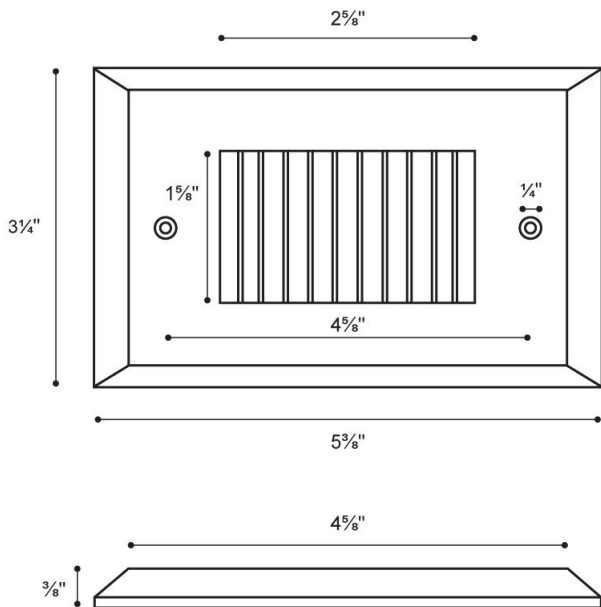
Agency :

Distributor :



SL3000-Louvered Vertical

SL3000-Louvered Horizontal



Lumux Lighting Inc	877-895-5552	Rev : A	Drawing Number SL3000
--------------------	--------------	---------	--------------------------

LUMUX

Date :

Project :

Type:

Agency :

Distributor :

ORDERING GUIDE:

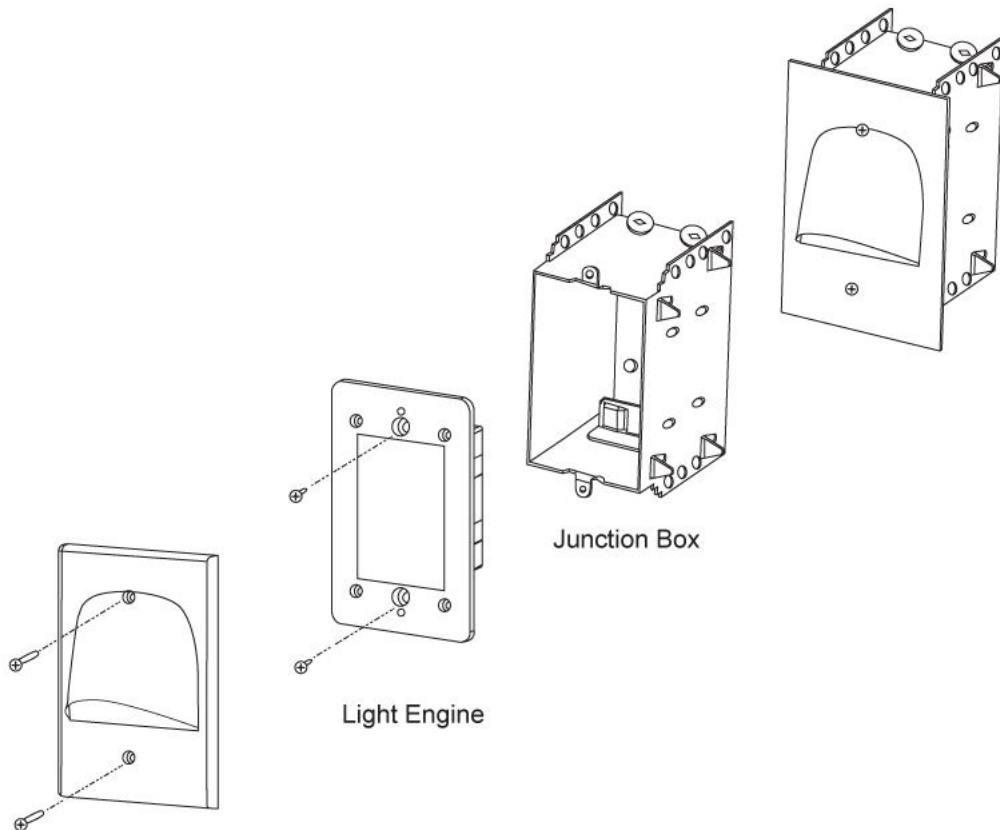
SL3000/LED-color/Voltage/Finish

SL3000-Louvered xxx /LED-color/Voltage/Finish

	Wattage	Color	Temp.	Lumen	Voltage	CRI	Finish
	3.0	Cool White	4000	7	120/277	80	Black
		Warm White	3000	5.5			White
Louvered	3.0	Cool White	4000	6.2	120/277	80	Silver
		Warm White	3000	5.3			D.Bronze
							RAL(optional)

Lumux - SL3000

PROJECT NOTES:



Lumux reserves the right to modify the above details to reflect changes in the cost of materials and/or design without prior notice.

Lumux Lighting Inc	877-895-5552	Rev :A	Drawing Number SL3000
---------------------------	---------------------	---------------	---------------------------------