

# LUMUX

Date :

Project :

Type:

Agency :

Distributor :



**Description :**

Brass housing and trim recessed low level step light. Gasketed for weather tight operation. Frosty glass diffuser with Brass screws. ETL listed for wet location. IP65 rated.

**SPECIFICATION:**

**Housing :** Brass. Silicon gasketed for weather tight operation.

**Diffuser :** Frosty glass.

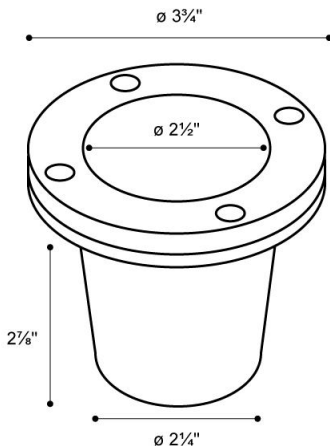
**Electrical :** Voltage : 120 / 277.  
Lamp: 3 Watt CREE LED 80 Lumen @ 4000K

Driver : 120/277 input voltage

**Installation:**

Unit is provided with its polymers Rough-in box. The Rough-in box dimensions are : 4.0" x 5 1/4" (Depth x Diameter)

**DIMENSIONS:**



Lumux - SLB200

Lumux reserves the right to modify the above details to reflect changes in the cost of materials and/or design without prior notice.

Lumux Lighting Inc

877-895-5552

Rev : A

Drawing Number  
SLB200

# LUMUX

Date :

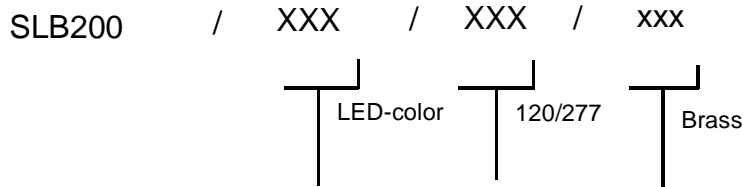
Project :

Type:

Agency :

Distributor :

## ORDERING GUIDE:



LED CREE 3 watt      SLB200/LED-color/120-277/Brass

Wattage	Voltage	Lumen	CRI	Temp.	B. Angle	Finish Brass
3	120/277	80	70	4000K	120	
3	120/277	70	70	3000K	120	

Lumux - SLB200

## PROJECT NOTES:



**Concrete Pour Box (CPX)**

Lumux reserves the right to modify the above details to reflect changes in the cost of materials and/or design without prior notice.

<b>Lumux Lighting Inc</b>	<b>877-895-5552</b>	<b>Rev :A</b>	<b>Drawing Number SLB200</b>
---------------------------	---------------------	---------------	----------------------------------