

LUMUX

Date :

Project :

Type:

Agency :

Distributor :



Description :

Brass housing and trim recessed low level step light. Gasketed for weather tight operation. Frosty glass diffuser with Brass screws. ETL listed for wet location. IP65 rated.

SPECIFICATION:

Housing : Brass. Silicon gasketed for weather tight operation.

Diffuser : Frosty glass.

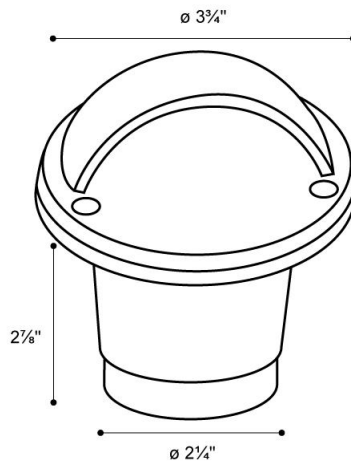
Electrical : Voltage : 120 / 277.
Lamp: 3 Watt CREE LED 80 Lumen @ 4000K

Installation:

Unit is provided with its polymers Rough-in box. The Rough-in box dimensions are : 4.0" x 5 1/4" (Depth x Diameter)

Driver : 120/277 input voltage

DIMENSIONS:



Lumux - SLB250

Lumux reserves the right to modify the above details to reflect changes in the cost of materials and/or design without prior notice.

Lumux Lighting Inc	877-895-5552	Rev : A	Drawing Number SLB250
--------------------	--------------	---------	--------------------------

LUMUX

Date :

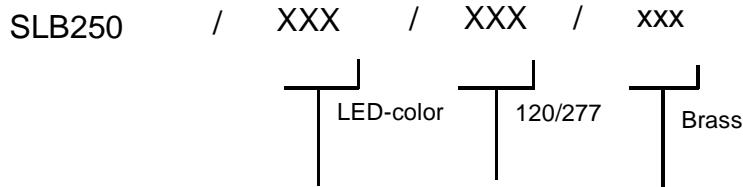
Project :

Type:

Agency :

Distributor :

ORDERING GUIDE:



LED CREE 3 watt SLB250/LED-color/120-277/Brass

Wattage	Voltage	Lumen	CRI	Temp.	B. Angle	Finish Brass
3	120/277	40	70	4000K	120	
3	120/277	30	70	3000K	120	

Lumux - SLB250

PROJECT NOTES:



Concrete Pour Box (CPX)

Lumux reserves the right to modify the above details to reflect changes in the cost of materials and/or design without prior notice.

Lumux Lighting Inc	877-895-5552	Rev :A	Drawing Number SLB250
--------------------	--------------	--------	--------------------------