

LUMUX

Project : Type:

Agency :

Distributor :



Description : Low copper aluminum die cast, oval wall and ceiling luminaries . Vandal resistance stainless steel screws. Fully gasketed for tight weather operation. 1/8" Prismatic glass diffuser

SPECIFICATION:

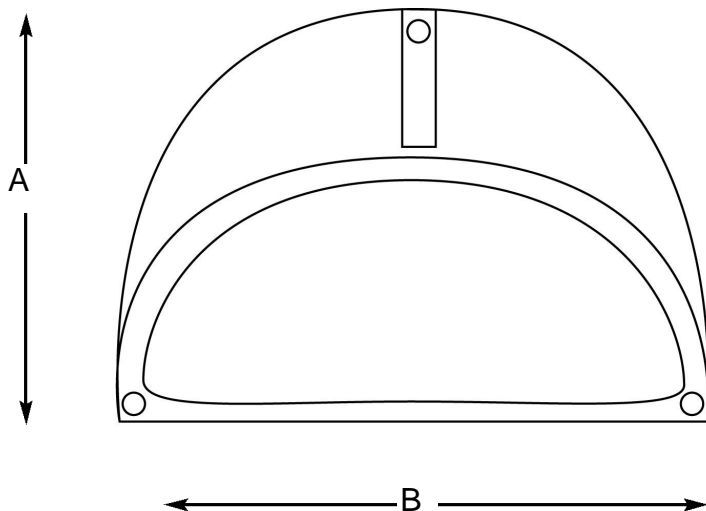
Housing : Low copper aluminum die cast. Vandal resistance stainless steel screws. Silicon gasketed for weather tight operation.

Diffuser : 1/8" Frosty Prismatic glass

Electrical : Voltage : 120 / 277
Lamp: Incandescent, Compact Fluorescent.
Socket : A19, G23-2, G24Q-4.
Ballast : Class P, Electronic Ballast

Installation: Unit is provided with standard cross bar bracket.

DIMENSIONS:



A : 6 1/8"
B : 8 1/2"
C : 5.0"

Lumux - L304

Lumux reserves the right to modify the above details to reflect changes in the cost of materials and/or design without prior notice.

Lumux Lighting Inc	877-895-5552	Rev : C	Drawing Number L304
--------------------	--------------	---------	------------------------

LUMUX

Date :

Project :

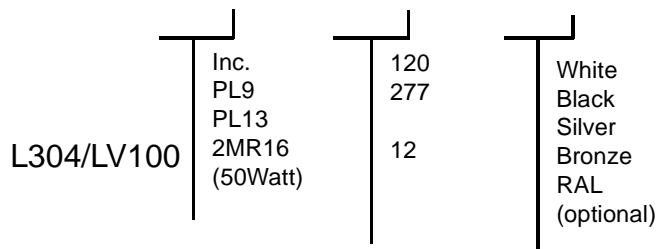
Type:

Agency :

Distributor :

ORDERING GUIDE:

L304 / XXX / XXX / xxx



Lumux - L304

PROJECT NOTES:

Comments

Approval

Lumux reserves the right to modify the above details to reflect changes in the cost of materials and/or design without prior notice.

Lumux Lighting Inc

877-895-5552

Rev :C

Drawing Number
L304