


LUMUX

Project :	Type:	Agency :
Distributor :		 Complies with BUY AMERICA



Description : Fabricated from the highest grade of low copper aluminum die cast, with stainless steel screws and tempered frosted glass diffuser. Utilizing silicon O-ring gasket for weather tight operation. High corrosion resistance polyester powder coat finish. Specify these fixtures where low mounting heights illumination is required for steps, marking or tracing of aisles and pathways. Consists of a galvanized steel housing which is recommended for poured concrete construction as a "rough in" housing to form a barrier between the luminaire recessed housing and the concrete. ETL listed for wet locations. ADA compliant. Lamps supplied with luminaires

SPECIFICATION:

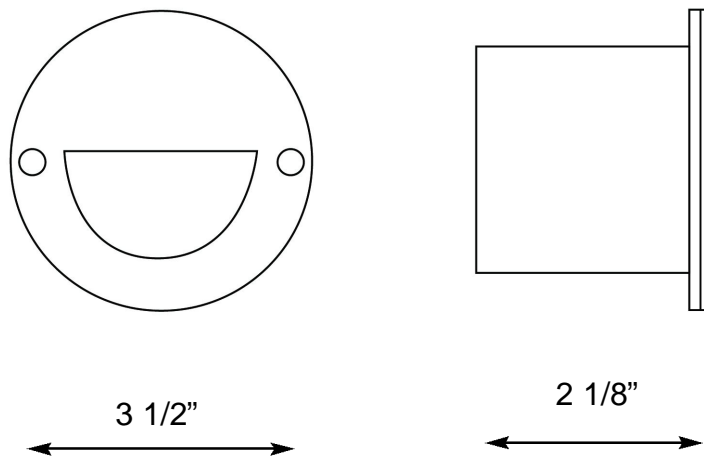
Housing : Low copper aluminum die cast.
Vandal resistance stainless steel screws.
Silicon gasketed for weather tight operation.

Diffuser : Frosty glass.

Electrical : Voltage : 120 / 277
Lamp: Incandescent G4, LED.
Socket : Mini Bi-pin
Ballast : Class P, Electronic Ballast .
G4 uses 12 volt transformer (optional).

Installation: Unit comes with its own galvanized steel Rough-In box for dry wall or concrete pour installation. Opening Size : 4 5/6" x 3 1/2" (Depth x Diameter)

DIMENSIONS:



Lumux - SL450SS

Lumux reserves the right to modify the above details to reflect changes in the cost of materials and/or design without prior notice.

Lumux Lighting Inc	877-895-5552	Rev : F	Drawing Number SL450SS
--------------------	--------------	---------	---------------------------

LUMUX

Date :

Project :

Type:

Agency :

Distributor :

ORDERING GUIDE:

SL450SS / Type / Volt / Finish

 G4(12v) / 120 / Stainless steel
 LED / 277

Wattage

2.7

Color

- Cool White
- Warm White
- Red
- Blue
- Green
- Amber

Temp

- 4000
- 3000

SL450SS/LED-color/Voltage/

**LED driver is integral 120/277.
 120 Lumen @ 4000K.**

Lumux - SL450SS

PROJECT NOTES:

Comments



Concrete Pour Box (CPX)

Lumux reserves the right to modify the above details to reflect changes in the cost of materials and/or design without prior notice.

Lumux Lighting Inc	877-895-5552	Rev :F	Drawing Number SL450SS
---------------------------	---------------------	---------------	-----------------------------------