

LUMUX

Project :

Type:

Agency :

Distributor :



Description : Fabricated from the highest grade of low copper aluminum die cast housing and stainless steel grade 316 cover. stainless steel screws and tempered frosty glass diffuser. Utilizing silicon O-ring gasket for weather tight operation. Specify these fixtures where low mounting heights illumination is required for steps, marking or tracing of aisles and pathways. Consists of a galvanized steel housing which is recommended for poured concrete construction as a "rough in" housing to form a barrier between the luminaire recessed housing and the concrete. ETL listed for wet locations. ADA compliant. Lamps supplied with luminaires. IP65

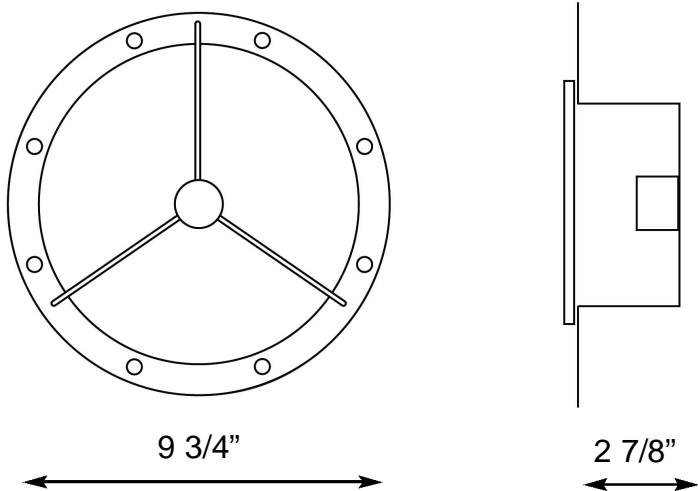
Housing : Low copper aluminum die cast with grade 316 stainless steel cover. Vandal resistance stainless steel screws. Silicon gasketed for weather tight operation.

Diffuser : Frosty glass.

Electrical : Voltage : 120 / 277
 Lamp: Compact Fluorescent, G23-2, G24Q LED
 Ballast : Class P, Integral Electronic Ballast

Installation: Unit comes with its own galvanized steel Rough-In box for dry wall or concrete pour installation. Opening Size : 9 1/2" x 5.0" (Diameter x Depth)

DIMENSIONS:



Lumux reserves the right to modify the above details to reflect changes in the cost of materials and/or design without prior notice.

Lumux - SL563SS

Lumux Lighting Inc	877-895-5552	Rev : A	Drawing Number SL563SS
--------------------	--------------	---------	---------------------------

LUMUX

Date :

Project :

Type:

Agency :

Distributor :

ORDERING GUIDE:

SL563SS	/	Lamp	/	Volt	/	Finish
		PI9, PI13 PL18 PL26 PL32 LED		120 277		Stainless Steel

LED - CREE

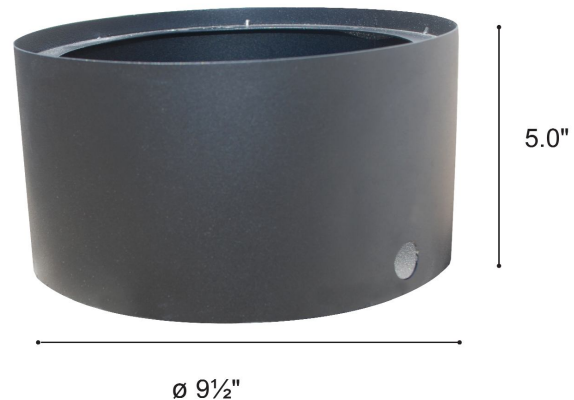
SL563SS/LED-color/120-277/Staniless Steel

Wattage	Voltage	Lumen	CRI	Temp.	B. Angle	Finish
21	120/277	1154	70	4000K	120	Stainless Steel
21	120/277	1050	70	3000K	120	

Lumux - SL563SS

PROJECT NOTES:

Comments



Concrete Pour Box (CPX)

Lumux reserves the right to modify the above details to reflect changes in the cost of materials and/or design without prior notice.

Lumux Lighting Inc	877-895-5552	Rev :A	Drawing Number SL563SS
---------------------------	---------------------	---------------	----------------------------------