


LUMUX

Project :	Type:	Agency :
Distributor :		 Complies with BUY AMERICA



Description : Low copper die cast aluminum housing and trim. Vandal resistance stainless steel screws. Silicon gasketed for weather tight operation. ETL listed for wet location. Unit comes with bracket for dry wall installation. For concrete pour operation you could order CPX boxes in advance prior to pouring concrete. Unit has two 1/2" Knock outs (KO) on each side for ease of gang installation. IP65.

SPECIFICATION:

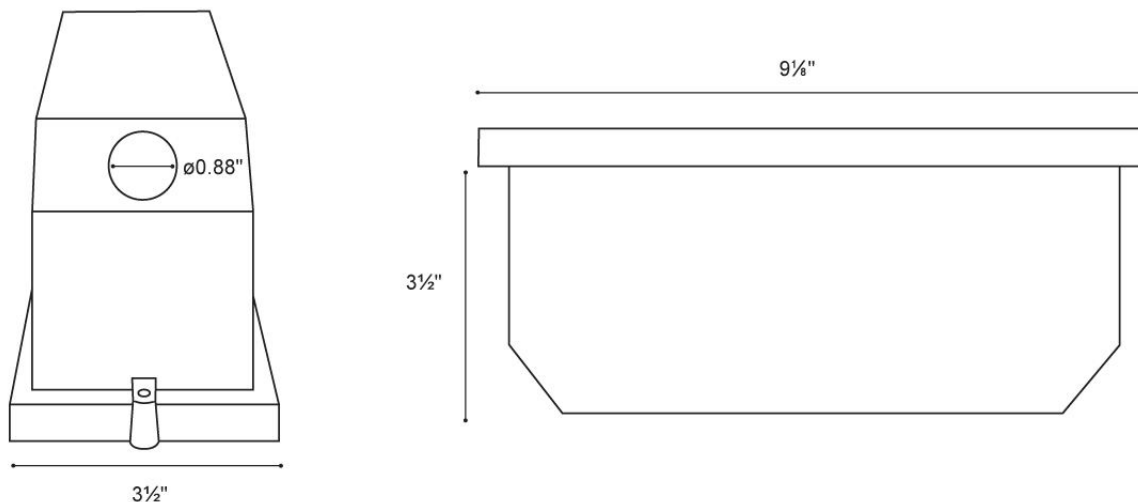
Housing : Low copper aluminum die cast. Vandal resistance stainless steel screws. Silicon gasketed for weather tight operation.

Diffuser : Frosty glass.

Electrical : Voltage : 120 /277.
Lamp: Incandescent T10, Compact Fluorescent, LED.
Socket : A19, G23-2, G24Q.
Ballast : Class P, Electronic Ballast

Installation: Dry wall - Brackets are provided.
Concrete : Galvanized steel CPX
9 3/4" x 3 5/8" x 4 1/2" (L x W x H)

DIMENSIONS:



Lumux - SL630

Lumux reserves the right to modify the above details to reflect changes in the cost of materials and/or design without prior notice.

Lumux Lighting Inc	877-895-5552	Rev : J	Drawing Number SL630
--------------------	--------------	---------	-------------------------

LUMUX

Date :

Project :

Type:

Agency :

Distributor :

ORDERING GUIDE:

SL630	Type	Volt	Finish
	T10	12v	White
	PL9	120	Black
	PL13	277	Silver
	PL18		Bronze
	PL26		RAL
	LED *		(optional)

SL630/LED-color/Voltage/Finish

Wattage	Voltage	Lumen	CRI	Temp.	B. Angle
8	120/277	400	90	4000K	120
8	120/277	360	90	3000K	120

Finish	Option
White	Dimmable driver.
Black	
Silver	
Bronze	
RAL (optional)	

You could also specify LED in Red, Blue, Green and Amber.

Lumux - SL630

PROJECT NOTES:

Comments



Concrete Pour Box (CPX)

Lumux reserves the right to modify the above details to reflect changes in the cost of materials and/or design without prior notice.

Lumux Lighting Inc	877-895-5552	Rev :J	Drawing Number SL630
---------------------------	---------------------	---------------	--------------------------------