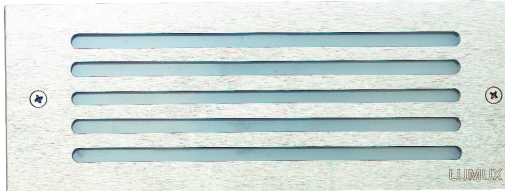


LUMUX

Project :	Type:
-----------	-------

Agency :

Distributor :



Description : Low copper die cast aluminum housing with straight louver grade 316 stainless steel cover. Vandal resistance stainless steel screws. Silicon gasketed for weather tight operation. ETL listed for wet location. Unit comes with bracket for dry wall installation. For concrete pour operation you could order CPX boxes in advance prior to pouring concrete. Unit has two 1/2" Knock outs (KO) on each side for ease of gang installation. IP65.

SPECIFICATION:

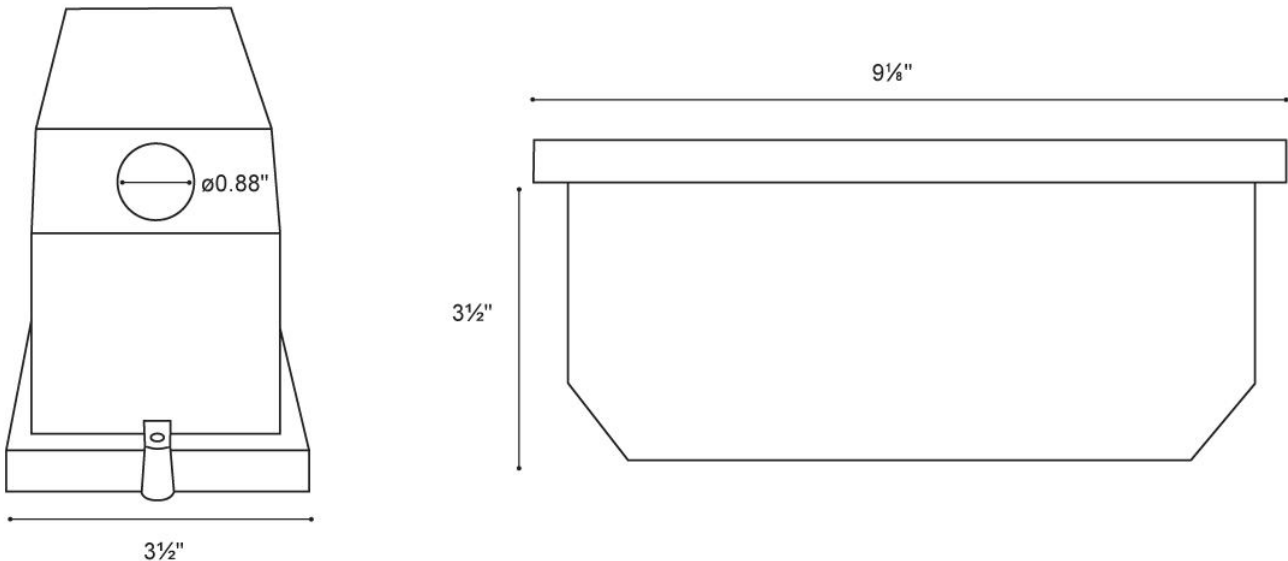
Housing : Low copper aluminum die cast. Grade 316 stainless steel cover. Vandal resistance stainless steel screws. Silicon gasketed for weather tight operation.

Diffuser : Frosty glass.

Electrical : Voltage : 120 /277.
 Lamp: Incandescent T10, Compact Fluorescent, LED.
 Socket : A19, G23-2, G24Q.
 Ballast : Class P, Electronic Ballast

Installation: Dry wall - Brackets are provided.
 Concrete : Galvanized steel CPX
 9 3/4" x 3 5/8" x 4 1/2" (L x W x H)

DIMENSIONS:



Lumux reserves the right to modify the above details to reflect changes in the cost of materials and/or design without prior notice.

Lumux - SL630SS

Lumux Lighting Inc	877-895-5552	Rev : D	Drawing Number SL630SS
--------------------	--------------	---------	---------------------------

LUMUX

Date :

Project :

Type:

Agency :

Distributor :

ORDERING GUIDE:

SL630SS	/	Type	/	Volt	/	Finish
		T10 PL9 PL13 PL18 PL26 LED *		12v 120 277		Stainless steel

SL630SS/LED-color/Voltage

Wattage	Voltage	Lumen	CRI	Temp.	B. Angle	Finish	Option
8	120/277	400	90	4000K	120	White	Dimmable driver.
8	120/277	360	90	3000K	120	Black	
						Silver	
						Bronze	
						RAL (optional)	

You could also specify LED in Red, Blue, Green and Amber.

Lumux - SL630SS

PROJECT NOTES:

Comments



Concrete Pour Box (CPX)

Lumux reserves the right to modify the above details to reflect changes in the cost of materials and/or design without prior notice.

Lumux Lighting Inc	877-895-5552	Rev :D	Drawing Number SL630SS
---------------------------	---------------------	---------------	----------------------------------