

LUMUX

Project :	Type:
-----------	-------

Agency :

Distributor :



Description : LED Cylindrical ceiling exterior and interior down light. Unit is constructed with low copper aluminum die cast for lighting atrium, canopies and passages with symmetrical distribution. Clear tempered glass and anodized aluminum reflector. Unit is fully gasketed for wet locations IP65 rated.with stainless steel fastener. ETL listed for wet location.

SPECIFICATION:

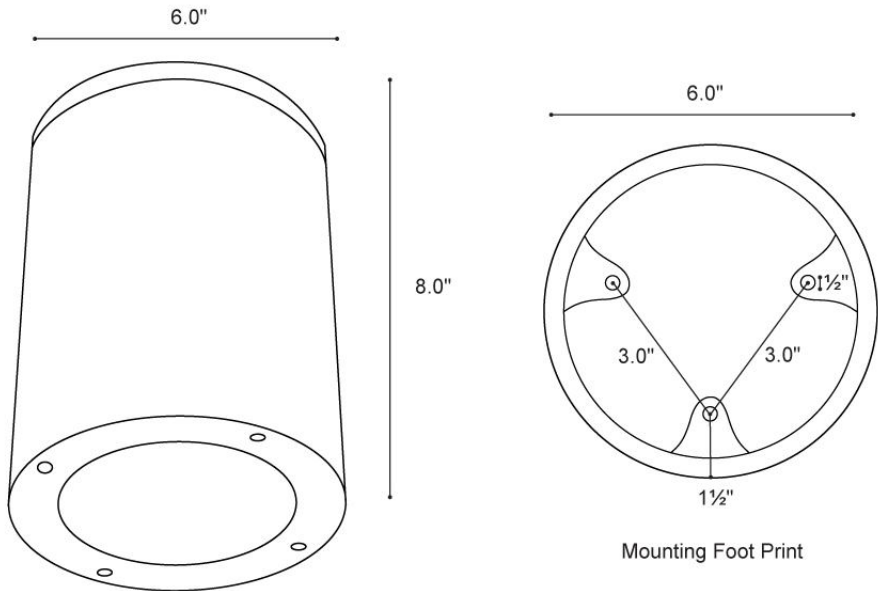
Housing : Low copper aluminum die cast.
Vandal resistance stainless steel screws.
Silicon gasketed for weather tight operation.

Diffuser : Clear glass.

Electrical : Voltage : 120 / 277
Lamp: CREE LED COB 26 watt
Driver : UL Listed 120/277

Installation: Refer to the mounting foot print below.

DIMENSIONS:



Lumux - DL200

Lumux Lighting Inc	877-895-5552	Rev : A	Drawing Number DL200
---------------------------	---------------------	----------------	---------------------------------

LUMUX

Project :	Type:
-----------	-------

Agency :

Distributor :



ORDERING GUIDE:

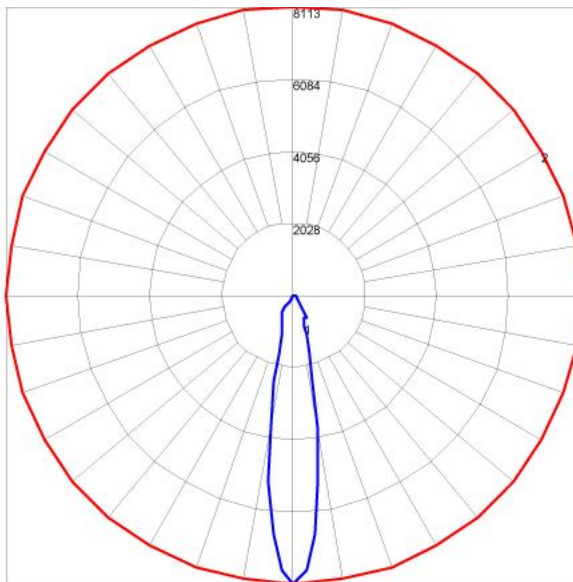
DL200/LED/120/277/Finish/option

LED -CREE

Wattage	Voltage	Lumen	CRI	Temp.	B. Angle	Finish	Option
28.6	120/277	1808	80	4000K	24	Black White Silver Bronze RAL (optional)	Pendent 24" Or 48"

Lumux - DL200

PROJECT NOTES:

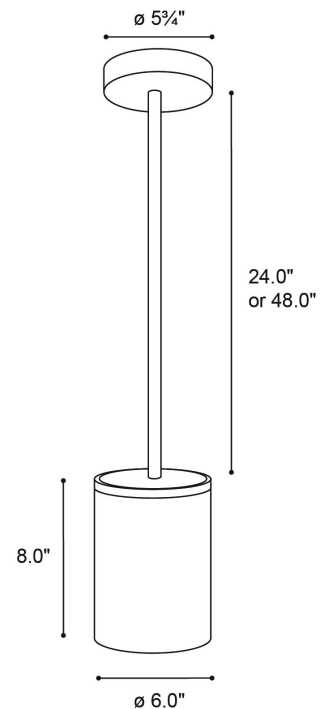


Maximum Candela = 8112.5 Located At Horizontal Angle = 0, Vertical Angle = 0
 # 1 - Vertical Plane Through Horizontal Angles (0 - 180) (Through Max. Cd.)
 # 2 - Horizontal Cone Through Vertical Angle (0) (Through Max. Cd.)

Light Distribution Pattern



Pendent details



Lumux reserves the right to modify the above details to reflect changes in the cost of materials and/or design without prior notice.

Lumux Lighting Inc	877-895-5552	REV :A	Drawing Number DL200
---------------------------	---------------------	---------------	---------------------------------