

LUMUX

STEP LIGHTS

SLB255

DATE:

PROJECT:

FIRM:

CATALOG NO.:

COMMENTS:

The Lumux SLB series is a family of precision engineered, recessed LED architectural step lights that are designed for durability and performance. Constructed from the highest quality materials and components, this step light is offered in a variety of form factors and grill options to fit any specification. A brass body is seamlessly integrated with its brass grill with captive, vandal resistant stainless-steel screws. This step light features a clear glass diffuser, reducing glare, and is energy efficient for long-lasting indoor and outdoor applications.

Housing: Heavy-duty construction of corrosion resistant brass. Grill secured with vandal resistant, stainless-steel screws.

Lens: 1/8" thick shatter proof clear glass diffuser

Mounting: Recessed wall or concrete pour

Installation: Unit is provided with polymer concrete pour box (see diagram for dimensions). Housing provided with 1/2" conduit opening.

Finish: Zinc polyester powder coat finish in black, white, silver, bronze, or any custom RAL color. Consult factory for marine grade or anti-microbial finish.

Driver: Constant current and universal input voltage 120/277V, starting temperature rated at -20°F.

Gasket: Closed cell silicon foam gasket that seals out moisture, dust, and insects for weather tight operation.

Protection Class: IP65, ETL Listed for wet locations

Wattage: 3W

Color Temperature: 2700K / 3000K / 3500K / 4000K

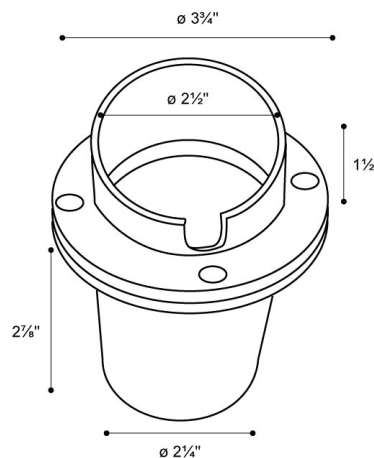
Delivered Lumens:	2700K	3000K	3500K	4000K
	28Lm	31Lm	36Lm	40Lm

CRI: 90

Warranty: 5 year limited warranty



Dimensions:



LUMUX

STEP LIGHTS

SLB255

DATE:

PROJECT:

FIRM:

CATALOG NO.:

COMMENTS:

Ordering Guide:

Catalog No.	LED Color	Color Temp ¹	Voltage	Finish
SLB255	White	2700K	120-277	Brass
		3000K		Black
		3500K		White
		4000K		Silver
				Bronze
				Custom RAL ²

¹Color Temperature applies only to White LED Color

¹Consult factory for additional options

²Consult factory for pricing

Catalog No.: _____

Concrete Pour Box:



Content of specification sheet subject to change