

LUMUX

Date :

Project :

Type:

Agency :

Distributor :



Description : Decorative and Versatile general-purpose luminaries for ceiling , floor or wall installation. Fabricated from low copper aluminum die cast with 1/8" thick frosted glass. Fully silicon gasketed for weather tight applications. Stainless steel hardware. ETL listed for wet locations. IP65 Rated. Augment your design with creative light patterns on the surface where the unit is attached to.

SPECIFICATION:

Housing : Low copper aluminum die cast.
Vandal resistance stainless steel screws.
Silicon gasketed for weather tight operation.

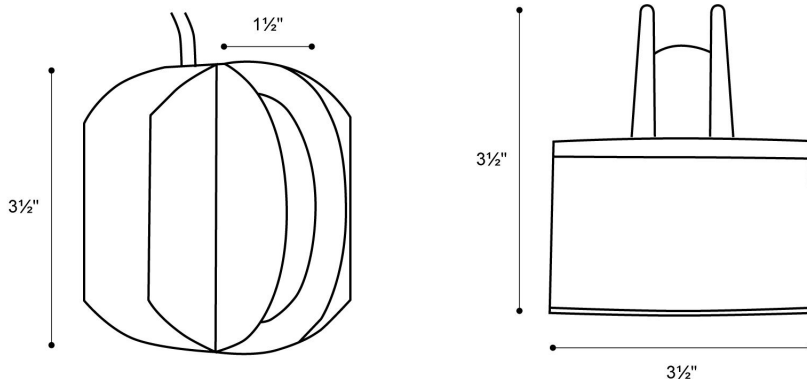
Diffuser : Clear glass.

Electrical : Voltage : 120
Lamp: CREE LED (@ 120 volt)

Installation:
Unit is surface mounted via four holes provided at the bottom of the unit.

Ballast : Class P, Electronic Ballast

DIMENSIONS:



Lumux - WW400

Lumux reserves the right to modify the above details to reflect changes in the cost of materials and/or design without prior notice.

Lumux Lighting Inc	877-895-5552	Rev : B	Drawing Number WW400
--------------------	--------------	---------	-------------------------

LUMUX

Date :

Project :

Type:

Agency :

Distributor :

ORDERING GUIDE:

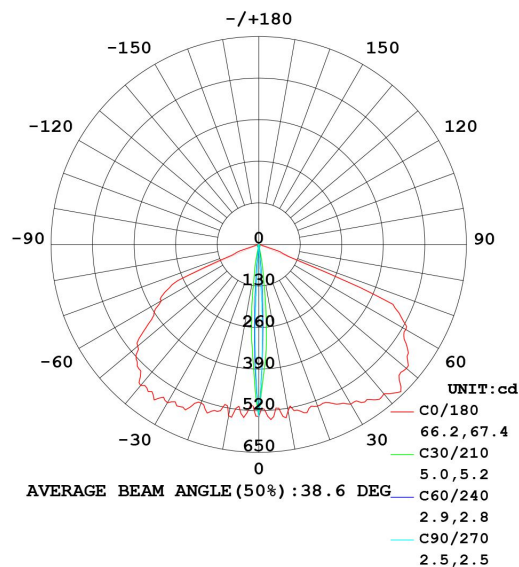
WW400/LED- Blue/120/White

<u>Wattage</u>	<u>Volt</u>	<u>Beam Angle</u>	<u>Temperature</u>
9	120	2 degree	4000K

Lumux - WW400

PROJECT NOTES:

LUMINOUS INTENSITY DISTRIBUTION DIAGRAM



Lumux reserves the right to modify the above details to reflect changes in the cost of materials and/or design without prior notice.

Lumux Lighting Inc

877-895-5552

Rev : B

Drawing Number
WW400