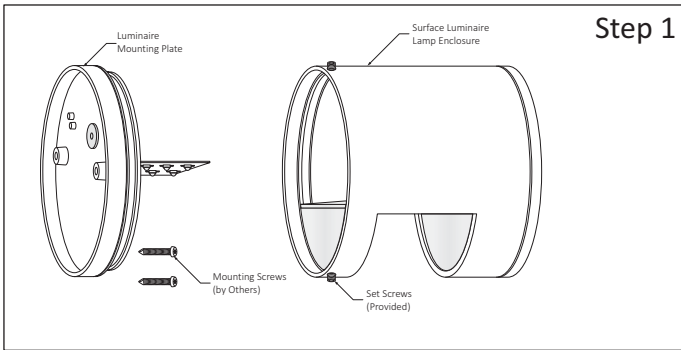


PREPARING THE LUMINAIRE

SURFACE WALL MOUNT LUMINAIRE WW200

SAVE THIS INSTRUCTIONS



Step 1

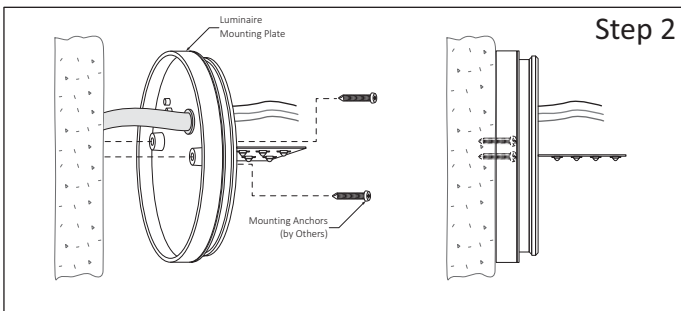
READ AND UNDERSTAND ALL INSTRUCTIONS BEFORE INSTALLATION. IF YOU ARE NOT FAMILIAR WITH THE NATIONAL ELECTRICAL CODE (NEC), CONTACT A QUALIFIED ELECTRICIAN TO INSTALL THIS LUMINAIRE.

WARNING.- Before installing this luminaire or doing any maintenance, turn off the power supply at the circuit breaker or fuse box. Turning the power off using the light switch is not sufficient to prevent electrical shock.

NOTE:

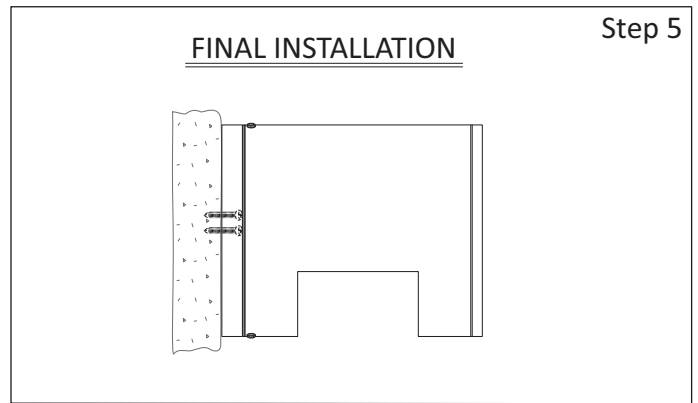
To re-lamp, replacement parts or additional information, contact or visit manufacturer at www.lumux.net

Step 1 - Disassemble Luminaire Parts for easy Installation:
a.- Remove Mounting Plate to install Luminaire Lamp Enclosure.



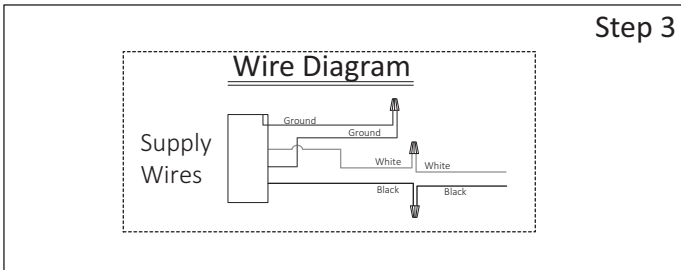
Step 2

Step 2 - Install Luminaire Mounting Plate:
a.- Run the Electrical Conduit (by Others) Through Hole as needed for Wiring System.
b.- Place Mounting Plate on desired Location and Install using proper Mounting Anchors (by others) as required for surface material.



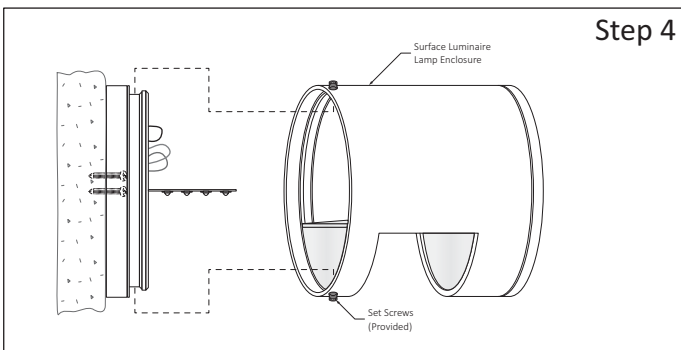
Step 5

Step 5 - Final Installation:
a.- Is Recommended to Install Lamp Enclosure Lens Facing Down.



Step 3

Step 3 - Make Wiring Connections:
a.- Run the Electrical Wires and make hard-wire connections, see Wire Diagram.



Step 4

Step 4 - Install Lamp Enclosure:
a.- Place Lamp Enclosure onto the Mounting Plate and install using the two Set Screws (provided).