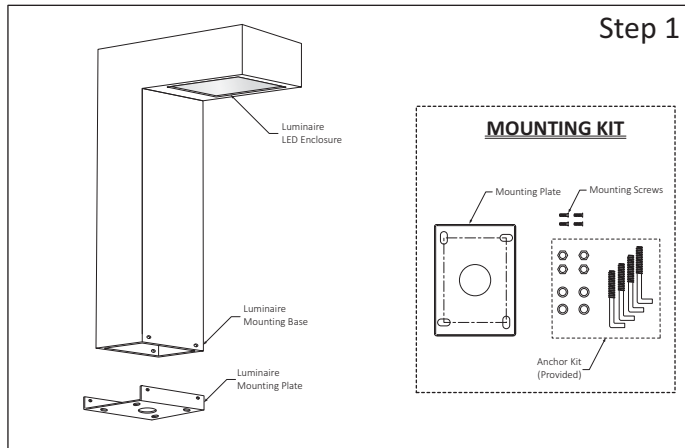


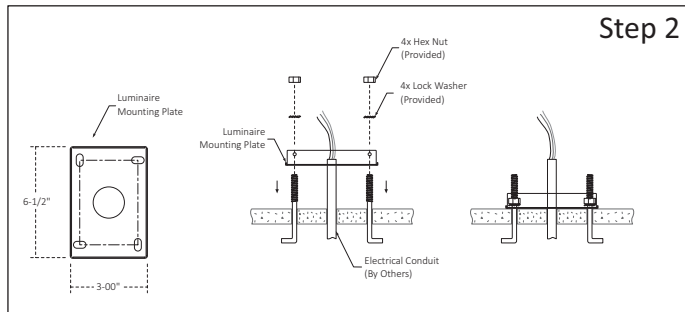
PREPARING THE LUMINAIRE

SURFACE LUMINAIRE: BL350 "LED"

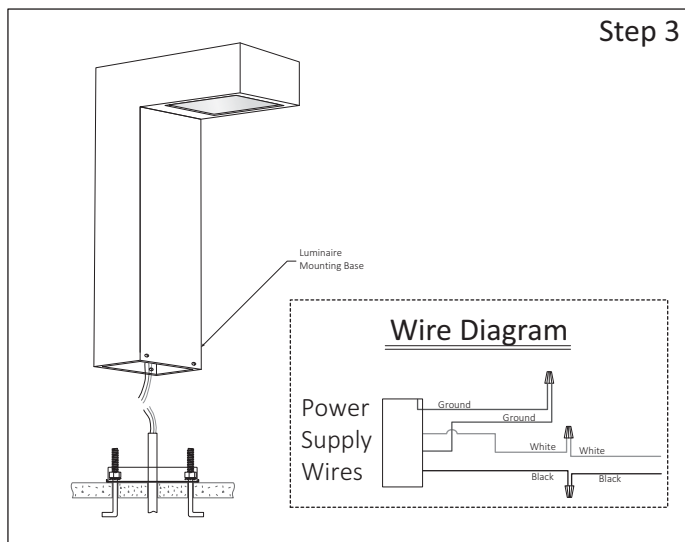
SAVE THIS INSTRUCTIONS



Step 1 - Disassemble Luminaire Parts for easy Installation:
 a.- Remove Luminaire Mounting Plate from Base Cover.



Step 2 - Install Luminaire Mounting Plate:
 a.- Arrange Anchors Locations, Installer may use the Mounting Plate as a template to set the hole pattern.
 b.- Insert Luminaire Mounting Plate on the Anchorage and fasten using the Lock Washers and Hex Nuts Provided.

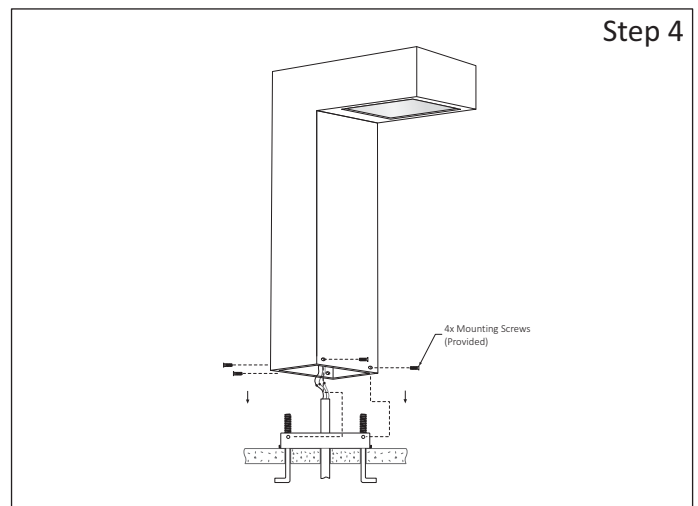


Step 3 - Make Wiring Connections:
 a.- Place Luminaire Base close to the Mounting Base and make hard-wire connections, see Wire Diagram.

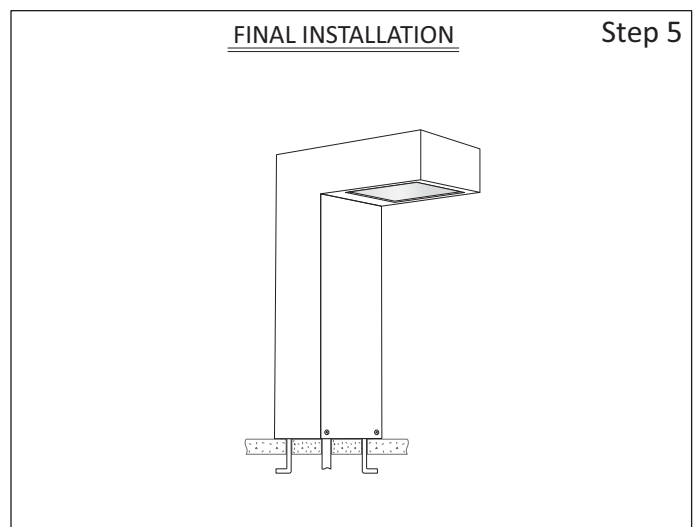
READ AND UNDERSTAND ALL INSTRUCTIONS BEFORE INSTALLATION. IF YOU ARE NOT FAMILIAR WITH THE NATIONAL ELECTRICAL CODE (NEC), CONTACT A QUALIFIED ELECTRICIAN TO INSTALL THIS LUMINAIRE.

WARNING.- Before installing this luminaire or doing any maintenance, turn off the power supply at the circuit breaker or fuse box. Turning the power off using the light switch is not sufficient to prevent electrical shock.

NOTE:
 To re-lamp, replacement parts or additional information, contact or visit manufacturer at www.lumux.net



Step 4 - Install Luminaire Mounting Base:
 a.- Place Luminaire Mounting Base onto the Mounting Surface, align the four holes and fasten it using the four Mounting Screws (provided).



FINAL INSTALLATION

Step 5