

LUMUX

Project :	Type:
-----------	-------

Agency :

Distributor :



Description : The BL344 Bollard luminaires provide symmetric efficient low-glare illumination from a highly durable seamless architectural . This unit is fabricated from extruded aluminum and die cast with frosted acrylic lens . All hardware are stainless steel. silicon gasketed for weather tight operation. Anchor bolts are provided. 120 volt / 277 volt driver is integral with this luminaires. Unit could be specified in Black, Silver, White or Dark Bronze. Unit complies with "Made in USA" provision. ETL listed for wet application

SPECIFICATION:

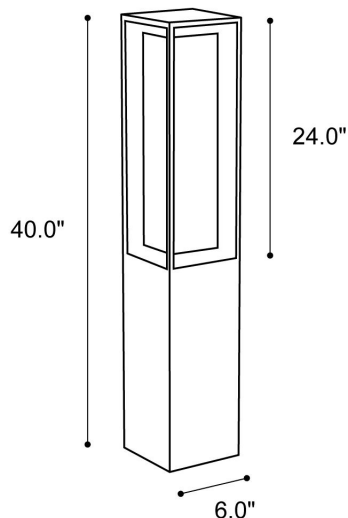
Diffuser : Frosty Acrylic.

Housing : Extruded aluminum. Vandal resistance stainless steel screws. Silicon gasketed for weather tight operation.

Electrical : Voltage : 120 / 277
Lamp: LED,
Driver : Integral.

Installation:
Unit is provided with anchor bolts.

DIMENSIONS:



Lumux - BL344

Lumux reserves the right to modify the above details to reflect changes in the cost of materials and/or design without prior notice.

Lumux Lighting Inc	877-895-5552	Rev : A	Drawing Number BL344
--------------------	--------------	---------	-------------------------

LUMUX

Date :

Project :

Type:

Agency :

Distributor :

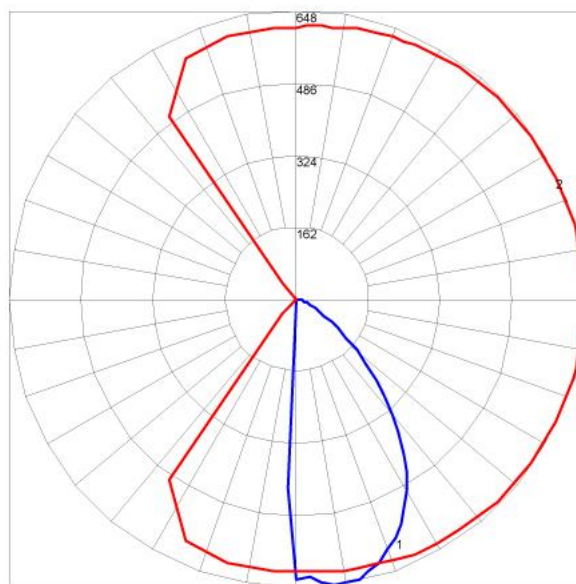
ORDERING GUIDE:

BL344/LED-color/120/277/Finish

Wattage	Voltage	Lumen	CRI	Temp.	B. Angle	Finish	Option
32	120/277	1210	80	4000K	120	Black	GFI Dual
32	120/277	1140	80	3000K	120	White	Receptacle.
						Silver	
						Bronze	
						RAL	
						(optional)	

Lumux - BL344

Light Distribution pattern



Maximum Candela = 648 Located At Horizontal Angle = 5, Vertical Angle = 10
 # 1 - Vertical Plane Through Horizontal Angles (5 - 185) (Through Max. Cd.)
 # 2 - Horizontal Cone Through Vertical Angle (10) (Through Max. Cd.)

Lumux reserves the right to modify the above details to reflect changes in the cost of materials and/or design without prior notice.

Lumux Lighting Inc	877-895-5552	Rev :A	Drawing Number BL344
---------------------------	---------------------	---------------	--------------------------------